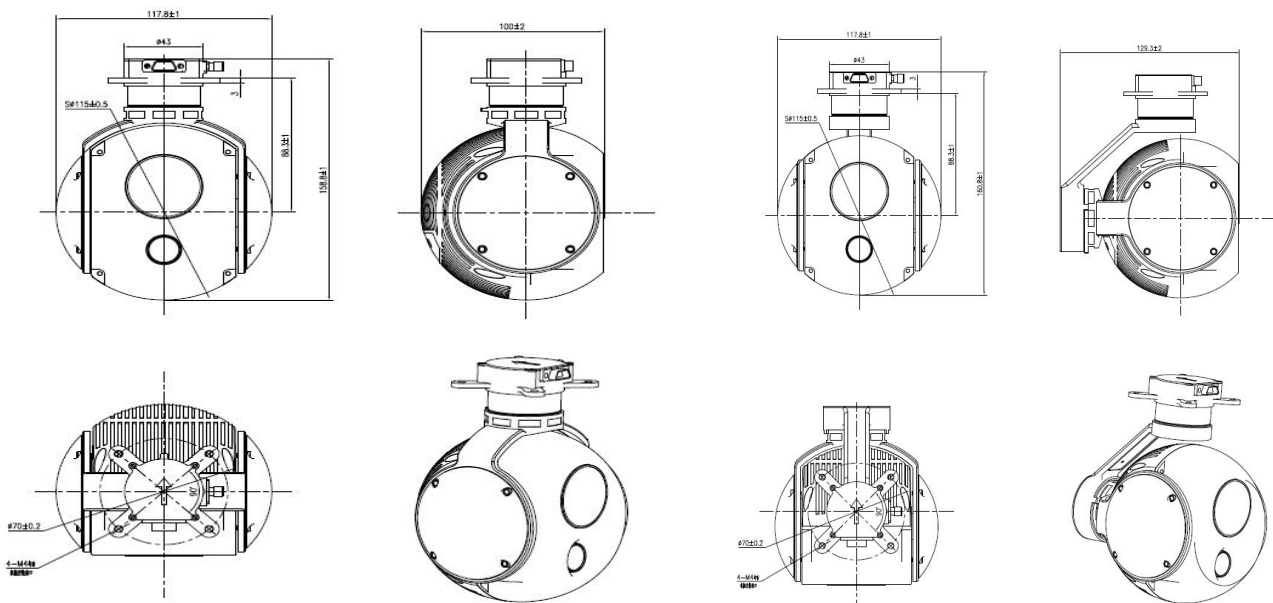


Product highlights:

- 1.Three-light: 10 x continuous zoom visible light imaging + fixed focus uncooled infrared imaging
- 2.target tracking
- 3.Infrared temperature measurement (optional)
- 4.Support video storage
- 5.Suitable for fixed wing, single rotor, multi-rotor and other aircraft

Dimensions



FIV-101

FIV-102

Parameters

MODEL		FIV-101	FIV-102
System specification	System type	Gyro stability	
	Weight	800	900g
Stable system	Platform type	Two-axis	Tri-axis
	Azimuth	360° rotation	
	pitch	-90° ~+30°	
	Roll	None	-45° ~+45°
	Maximum search angular velocity	≥100° /s	
	Stability accuracy	0.1mrad(1° /2HZ)	
	Angular position accuracy	≤0.3°	
	Electro Optical (10X)	Resolution and frame rate	1920×1080
FOV		61° ×36° ~6.7° ×3.8°	
Focus		f=4.7mm-47mm	
Infrared camera	Resolution and frame rate	640*480	
	Size of pixel	12μm	
	FOV	12.5°×9.4°	
	LEN	35mm	
Tracking module	Frame rate	60Hz	
	Tracking speed	±48 Pixel/frame	
System external interface	Control	RS232、NET	
	Video output	NET	
Power supply	Power	12~28V	
	Power consumption	Av≤15W, Max≤30W	
Environmental conditions	Operating temperature	-10°C ~+50°C	
	Storage temperature	-40°C ~+60°C	